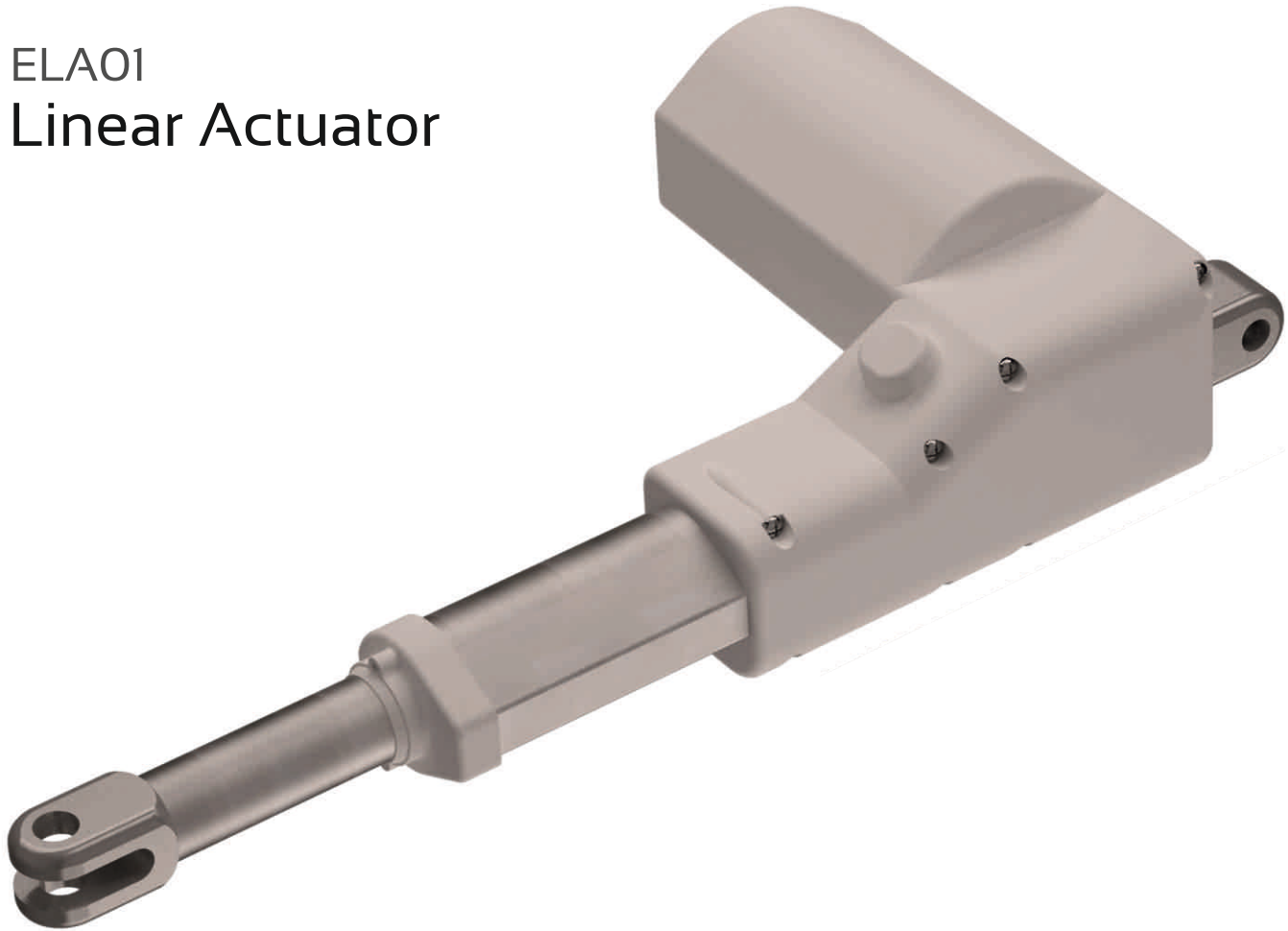


ELA01 Linear Actuator

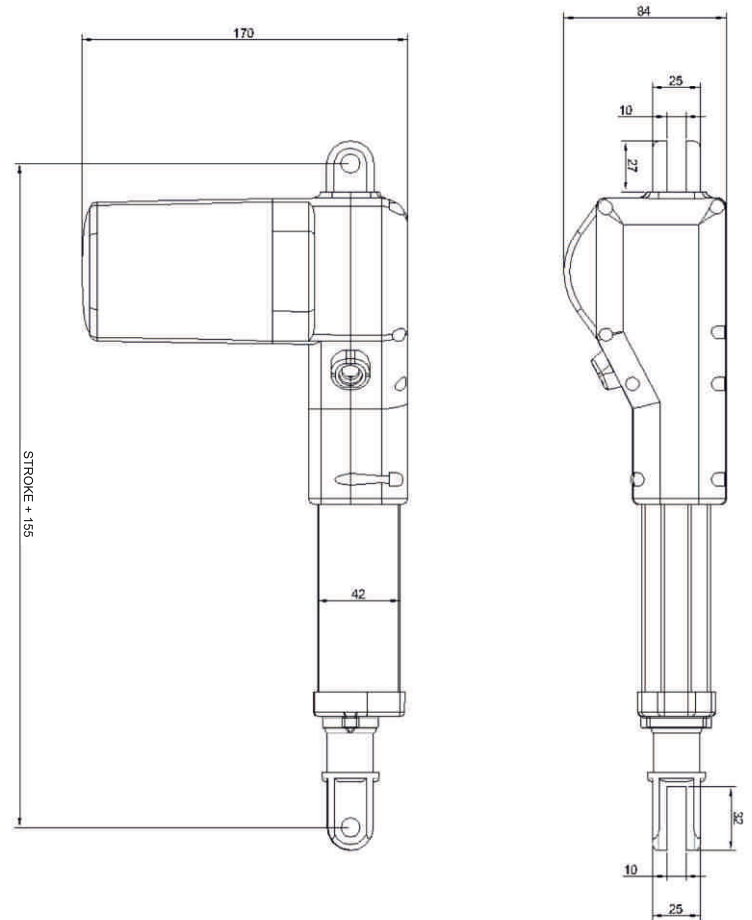


KEY FEATURES

More Powerfull
More Silent
More Duty Cycle
Lower Cost
Longer Life

STANDART FEATURES

Push Load Capacity	6000 N (max.)
Pull Load Capacity	4000 N (max.)
Speed (full load to no load)	7-9 mm/s
Installation Dimension	Stroke + 155 mm
Motor	24 V DC
Power Consumption	120 W
Current Consumption	5 A
Limit Switch	Signal type
Duty Cycle	10% (1/9)
Housing Colour	Grey RAL 7035
Guidance Profile	Anodized Aluminium
Stroke Pipe	Anodized Aluminium
Gear Clevis	4 x 90 °
Protection Type	IPX6
Cable	1,5 m with Minifit Plug



Ordering Example

E		L		A		O		1		-		E		1		5		0		H		L		9		W		D		B		N		B		1			
Type																																							
Load																																							
Push (N)		Pull (N)																																					
8000 N		4000 N : E																																					
6500 N		4000 N : S																																					
4000 N		2000 N : F																																					
Stroke (mm)																																							
50 mm																																							
100 mm																																							
150 mm																																							
200 mm																																							
250 mm																																							
300 mm																																							
Feedback																																							
No Feedback																																							
Dual Hall Sensors																																							
Retracted Length																																							
Stroke + 155																																							
Stroke + 163																																							
Stroke + 173																																							
Customised																																							
Back Fixture Orientation																																							
0																																							
90																																							
Safety																																							
Without																																							
Safety Nut																																							
Brake																																							
None																																							
Brake PUSH																																							
Brake PULL																																							
Colour																																							
Gray																																							
Black																																							
Quick Release																																							
None																																							
Quick Release																																							